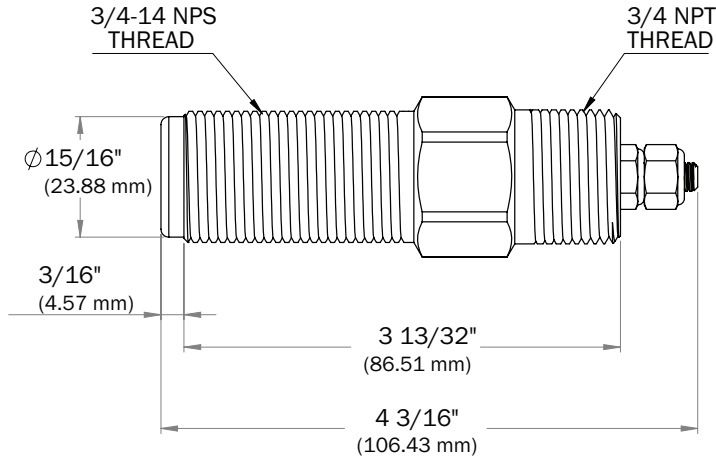
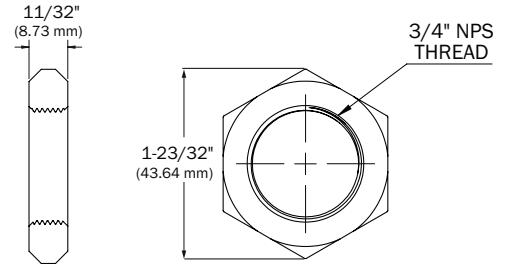


**VA-06-NPT-TB**

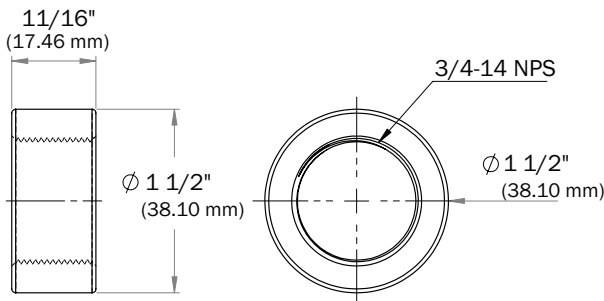


**Lock Nut**

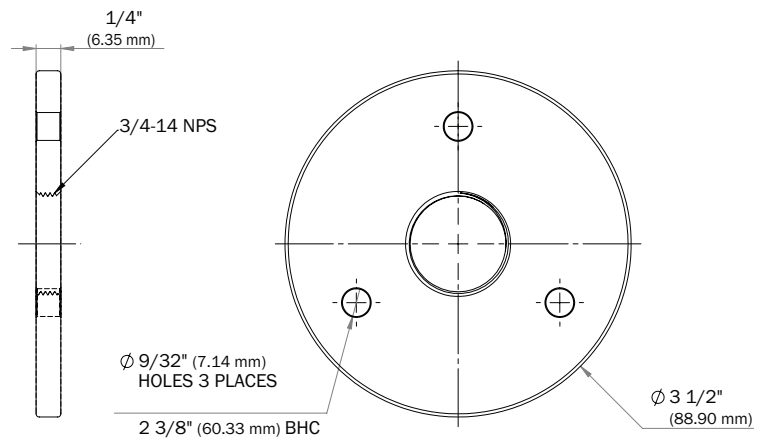


**Mounting Options**

**Mounting Coupling**  
(Weld to vessel)



**Mounting Plate**  
(Bolt to vessel)



Specifications subject to change without notice.



**CONTROL**  
**CONCEPTS** USA

Control Concepts, Inc.  
100 Park Street  
Putnam, CT 06260

E: [Sales@ControlConceptsUSA.com](mailto:Sales@ControlConceptsUSA.com)  
P: 860-928-6551 • F: 860-928-9450  
[www.AirSweepSystems.com](http://www.AirSweepSystems.com)

